

pero



Water based
cleaning

ROTIMAT 1A CLEANING PLANT

SPRAY CLEANING FOR DIVERSE WORKPIECES



**UNIVERSAL
AND MOBILE**

UNIVERSAL AND MOBILE

The ROTIMAT 1A system is used for the spray cleaning of a variety of workpieces that can be loaded into a robust rotary wash basket.

After closing the cover, the workpieces and components from the production or repair area are automatically and intensively cleaned from all sides with heated, water-based cleaning medium.

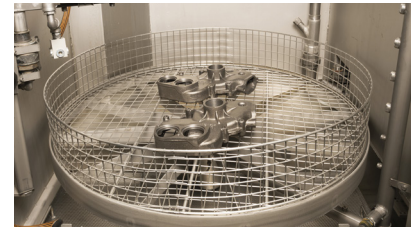
- + Compact system on four rollers for free placement
- + Hinged slide cover allows for loading from the front and above with hoisting equipment
- + Rotary table drive by means of a geared motor
- + Drying by means of innate workpiece energy; Exhaust fan optional (see front page)
- + Thermostatically controlled electric heater, protected against dry running



Blow-off pipe, height adjustable



Hinged slide cover open

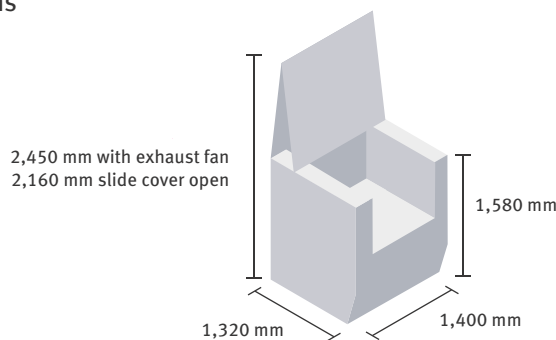


Rotary wash basket with spray and blow-off nozzles

0004.209*V01

TECHNICAL DETAILS

External plant dimensions



Cleaning media	
Water-based media in the acidic, pH neutral or alkaline range	
Wash Basket / Goods Carrier	
Useable diameter, max. / Height	1,000 mm / 650 mm
Batch weight, max.	300 kg
Work height	720 mm
Rotary table	
Speed	1 rpm

Performance data	
Connected load, approx.	8.5 kW
Heat output	6 kW
Wash pump (at 2.5 bar)	300 l/min
Sound level	< 75 dB (A)
Wash tank content	160 l
Options	
e.g. disc oil skimmer, filter, magnetic cartridge insert, fresh water supply, etc.	

All data are approximate figures - Errors and omissions reserved